

# Setting up Your **Hargray Television Equipment**

*Explorer® SD Set Top Box Instructions*



1.877.HARGRAY

**HARGRAY**  
Do More. Live Better.

Internet | Television | Telephone



Welcome to your new Explorer SD Set Top Box. This guide is intended to help you set up your new equipment. After completing the installation steps, please refer to the back page of the guide for activation instructions.

## Contents

Connecting to a Stereo TV ..... 1  
Connecting to a Stereo TV and Stereo VCR ..... 2  
Connecting to a Stereo TV, Stereo VCR and DVD Player ..... 3  
Connecting to a Stereo TV, Home Theater and Stereo VCR ..... 4  
Activating Your Service ..... 5

## Included in this kit

Your Explorer SD Set Top Box comes with the following:



Coax  
Cable



Power  
Cord



Remote  
Control



2 AA  
Batteries

Contact Hargray with any questions or for assistance.

Activation – **866.531.0177**

Technical Support – **843.686.1135**

General inquiries – **1.877.HARGRAY**

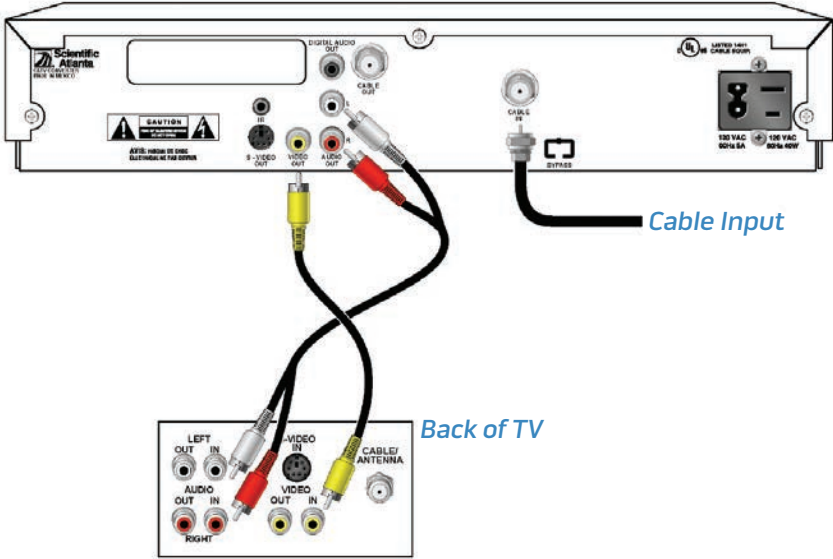
Monday – Sunday

7am – 10pm EST

Account #: \_\_\_\_\_

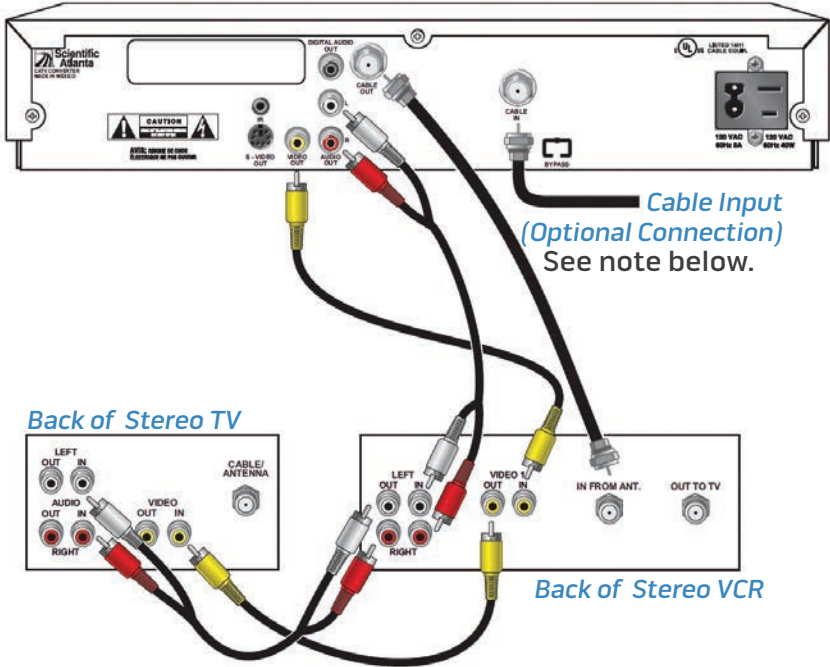
# Connecting to a Stereo TV

## Explorer SD Set Top Box



# Connecting to a Stereo TV and Stereo VCR

## Explorer SD Set Top Box

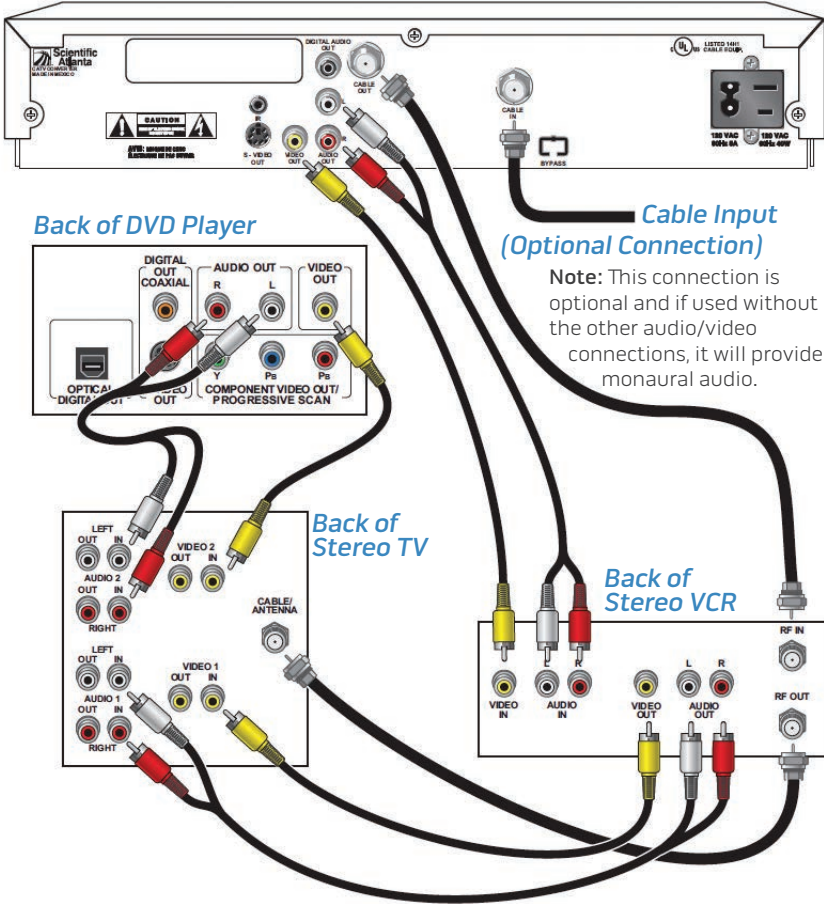


### Note:

If your VCR and/or TV do not have stereo connections, an RF connection used alone will provide monaural audio.

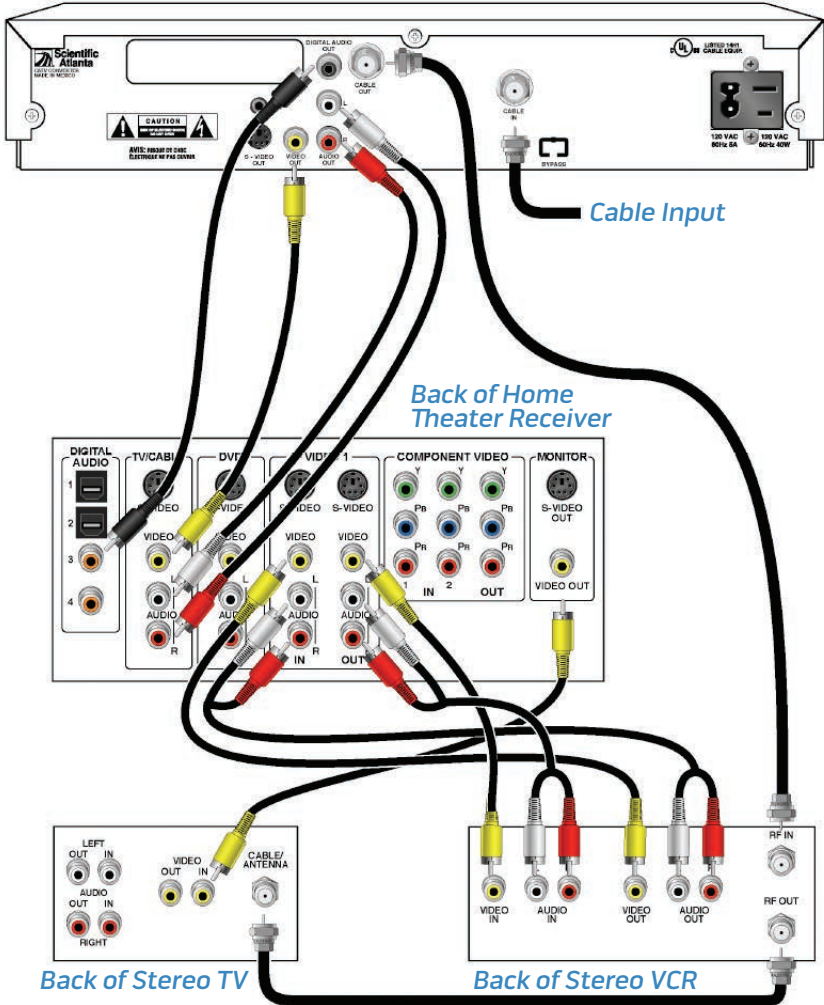
# Connecting to a Stereo TV, Stereo VCR and DVD Player

## Explorer SD Set Top Box



# Connecting to a Stereo TV, Home Theater and Stereo VCR

## Explorer SD Set Top Box



### Note:

Please refer to your home theater receiver's owner's manual for detailed information.



Internet | Television | Telephone

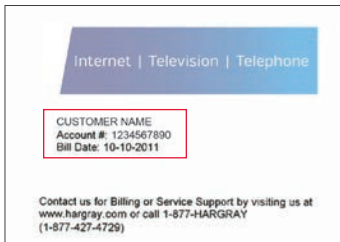
# Activating Your Service

To activate your service, visit us online at [hargraytelevision.com/activate](http://hargraytelevision.com/activate) or call our automated equipment activation line toll-free at 866.531.0177.

## Getting Started

Before you begin, you will need a copy of your Hargray bill. In the top right-hand corner of the front page of your bill is your 10-digit account number. You will need this account number to activate your equipment. If you are unable to locate your account number, please call 1.877.HARGRAY for assistance. If you are activating your equipment online, you will also need the MAC address located on your equipment.

### Hargray bill example



### MAC address example (top barcode)



## Instructions for Activating Your Service Online

In order to activate your service online, visit us at [hargraytelevision.com/activate](http://hargraytelevision.com/activate). Enter your account number from your Hargray bill and the MAC address from your equipment. The MAC address is case sensitive and must be entered in ALL CAPS without any punctuation (i.e., if the MAC address is listed as 12.BF:34:56:78.12, you would enter 12BF34567812). Please note that it may take up to 30 minutes for the activation to complete.



### ***Instructions for Activating Your Service Via Phone***

In order to activate your service over the phone, call us toll-free at our automated equipment activation line at 866.531.0177. You will be prompted by the automated system to enter your 10-digit account number from your Hargray bill. Please note that it may take up to 30 minutes for the activation to complete.

If you experience any difficulties and require additional technical support, feel free to contact our local support professionals at 843.686.1135.



Internet | Television | Telephone







Internet | Television | Telephone